

12-380

MODULAR BATTERY RACKS FOR LIBERTY SERIES 1000®

C&D Technologies' Powercom Division modular battery racks are designed to be flexible, durable, and easy to install. Engineered for use with C&D's Liberty Series 1000® batteries, these modular racks fit virtually any requirements.

FEATURES AND BENEFITS

FLEXIBLE

- Stackable modules easily accommodate system expansion
- Optional panels are available to completely enclose rack, providing a cabinet like appearance
- Rack modules can be arranged end-to-end, back-to-back, and in tiered configurations
- Batteries can be configured in series and/or parallel to meet most requirements

DURABLE

- High-quality construction guarantees longer life
- Acid-resistant paint is scratch-resistant and chip proof
- Solid inter-unit connectors and flexible inter-tier cable connections minimize voltage drops and insure proper load carrying capability

EASY TO INSTALL

- Rack can be order to ship fully assembled, requiring only onsite battery installation
- Rack can ship unassembled as lower cost option
- Racks are free standing, however floor-anchoring holes are provided (anchor bolts not supplied)

ACCESSIBLE

- Open rack allows easy maintenance and service
- Optional panels remove easily to provide four-side access

SEISMIC ZONE 4

- Standard modules vertically stacked meet 1994 UBC Zone 4 requirements (0.9g) up to four tiers
- Five-tier modular rack with panels available for lower seismic applications (Zone 3, 0.675g)
- Special five-tier rack with bolt-on bracing is available that meets UBC Zone 4 requirements (panels not available)

OPTIONS

- Terminal plates
- Side-mounted breaker box (RE04055)



Open rack



Enclosed rack with panels

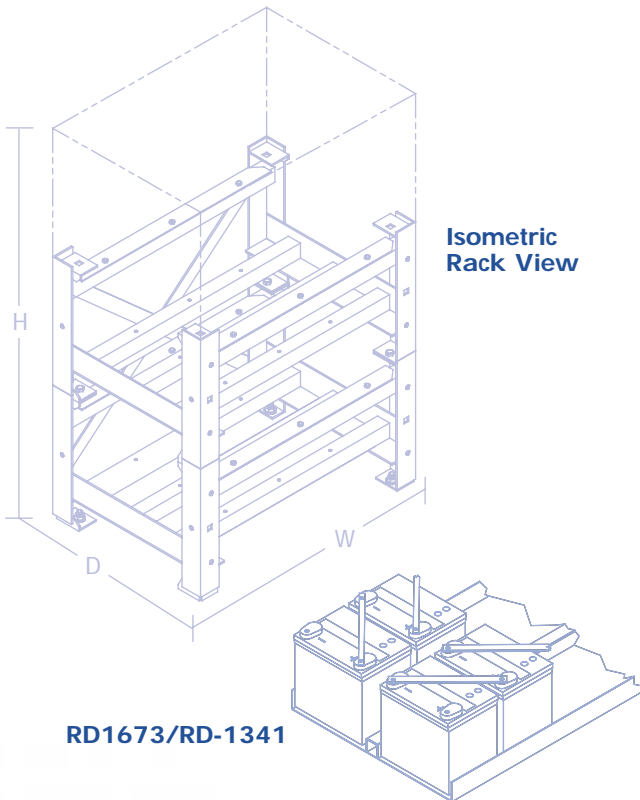
RACK SPECIFICATIONS

Model	Seismic Zone	Number of Tiers	Width in (mm)	Depth in (mm)	Height in (mm)	Weight* lbs (kgs)	Optional panels lbs (kgs)
29.00-in Racks							
RD01615	4	1	29.00 (736)	20.25 (514)	15.44 (392)	65 (30)	50 (23)
RD01616	4	2			30.44 (773)	130 (59)	80 (36)
RD01617	4	3			45.44 (1154)	195 (89)	112 (51)
RD01618	4	4		60.44 (1535)	260 (118)	144 (65)	
RD01678**	4	5		25.25 (641)	75.44 (1916)	400 (181)	N/A
RD01623	3	5		20.25 (514)	75.44 (1916)	325 (148)	176 (80)
43.50-in Racks							
RD01263	4	1	43.50 (1105)	20.25 (514)	15.44 (392)	80 (36)	62 (28)
RD01264	4	2			30.44 (773)	160 (72)	102 (46)
RD01265	4	3			45.44 (1154)	240 (109)	142 (64)
RD01266	4	4		60.44 (1535)	320 (145)	182 (83)	
RD01670**	4	5		25.25 (641)	75.44 (1916)	475 (216)	N/A
RD01262	3	5		20.25 (514)	75.44 (1916)	400 (181)	222 (101)

*Does not include the weight of the batteries, strictly empty rack weight

**Panels not available for this model

For racks with panels, use suffix "WP" with model number (Example: RD01263WP specifies single tier rack with panels.) Add 2.50 inches for each end panel, 0.75 inches for each front or rear panel, and 0.81 inches for the top panel.



Isometric Rack View

RD1673/RD-1341

TRAY INSERTS

	29.00-in Rack		43.50-in Rack	
	Part Number	Weight lbs (kgs)	Part Number	Weight lbs (kgs)
LS 12-25	RD01673	16 (7)	RD01341	24 (11)
LS 12-55	RD01920	16 (7)	RD01921	24 (11)

Note: Tray insert only required for models listed. Steel jackets cannot be used in conjunction with tray inset.

MAXIMUM RACK LOADING (NUMBER OF UNITS)

Model	LS 12-25	LS 12-55	LS 12-80*	LS 12-100 thru LS 2-600
29.00-in Racks				
RD01615	10	4	4	4
RD01616	20	8	8	8
RD01617	30	12	12	12
RD01618	40	16	16	16
RD01678**	50	20	20	20
RD01623	50	20	20	20
43.50-in Racks				
RD01263	16	8	6	6
RD01264	32	16	12	12
RD01265	48	24	18	18
RD01266	64	32	24	24
RD01670**	80	40	30	30
RD01262	80	40	30	30

*Retaining rail required (RD01930, 29.00-in; RD01931 43.50-in)

For information on the Liberty Series 1000 batteries, please refer to brochure 12-373.



POWERCOM DIVISION

1400 Union Meeting Road
 P.O. Box 3053 • Blue Bell, PA 19422-0858
 (215) 619-2700 • Fax (215) 619-7899 • (800) 543-8630
 powercom@cdtechno.com
 www.cdtechno.com

Any data, descriptions or specifications presented herein are subject to revision by C&D Technologies, Inc. without notice. While such information is believed to be accurate as indicated herein, C&D Technologies, Inc. makes no warranty and hereby disclaims all warranties, express or implied, with regard to the accuracy or completeness of such information. Further, because the product(s) featured herein may be used under conditions beyond its control, C&D Technologies, Inc. hereby disclaims all warranties, either express or implied, concerning the fitness or suitability of such product(s) for any particular use or in any specific application or arising from any course of dealing or usage of trade. The user is solely responsible for determining the suitability of the product(s) featured herein for user's intended purpose and in user's specific application.